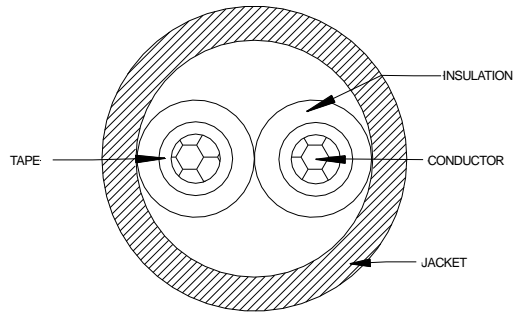


VITALink®

16 AWG Stranded 2/C Non-Shielded Circuit Integrity Cable



1. Construction:

- 1.1. Conductors: 16 AWG (1.31 mm²) Stranded Bare Copper, 0.060" (1.52 mm) Nominal Diameter
- 1.2. Tape: Flame Retardant Tape
- 1.3. Insulation: Low Smoke Zero Halogen Thermoset Fire-Roc® Insulation 0.138" (3.50 mm) Nominal Diameter & 0.029" (0.73 mm) Nominal Wall Thickness
- 1.4. Color Code: Red, Black
- 1.5. Cable Assembly: Cable (2) Conductors Nominal 4.5" (114 mm) LHL
- 1.6. Jacket: Non-Halogen Flame-Retardant Polyolefin Compound, Nominal Overall Diameter, 0.344" (8.73 mm), Nominal Wall Thickness 0.034" (0.86 mm) Color: RED

1.7. Jacket Print:

COMTRAN LSZH VITALink® FPLR-CI-ST1 CMR-CI-ST1 CL3R-CI-ST1 2/C 16AWG 105C SUN RES WET or FAS105 LL14444 FRR-2HR FHIT.40A/FHIT7.40A UL2196/ULC S139 MAX VOLTAGE 72V PN36341 --- NYC APPROVED (MMYY) 000002 (01-12345)

NOTE: MMY is 4 Digit Month/Year
Sequential Footage Markings Every Two Feet
(01-12345)- Traceability Marking

2. Compliance:



- 2.1. (UL) Listed Type FPLR-CI-ST1
- 2.2. (UL) Listed Type CMR-CI-ST1
- 2.3. (UL) Listed CL3R-CI-ST1
- 2.4. CSA Listed FAS 105
- 2.5. UL Subject 1424 Power Limited Fire Alarm Circuits; 300V/105°C Classified
- 2.6. UL Subject 13 Power Limited Circuit Cables; 300V/105°C Classified
- 2.7. UL Subject 444 Communications Cable, 300V/105°C Classified
- 2.8. ANSI/UL 2196 2-Hour Fire Rating for use in FHIT System 40A
- 2.9. CAN/ULC-S139 2-Hour Fire Rating with Hose Stream for use in FHIT7 System 40A
- 2.10. NFPA 70 & 72
- 2.11. NFPA 130
- 2.12. NFPA 502
- 2.13. California State Fire Marshal Approved
- 2.14. NYC Electrical Advisory Board #54502, April 2017
- 2.15. RoHS Compliant

3. Physical Characteristics:

- 3.1. Nominal Weight per 1000 FT: 54 Lbs. (24.4 kg)
- 3.2. Min Bend Radius: 3" (76.2 mm)
- 3.3. Maximum Pull Tension – Straight runs: 45 Lbs. /Ft. (20.4 kg/Ft.)

4. Electrical Characteristics:

- 4.1. Nominal Conductor DCR @ 68F (20 °C): 3.7Ω / 1000 Ft.
- 4.2. Nominal Capacitance C-C: 19pF/Ft.

TITLE:		DESCRIPTION:		COMTRAN 330A Turner Street South Attleboro, MA 02703 Phone: 508-399-7004 Fax: 508-399-8839		 COMTRAN <small>Innovative Systems. Engineered Solutions.</small>  <small>A Marmon Wire & Cable/Berkshire Hathaway Company</small>
DS36341		16 AWG Stranded 2 Conductor VITALink® Non-shielded Circuit Integrity Cable				
Rev	Date	Detail	Eng.	App.		
10	11/2/21	Update legend per UL changes	BD	PB	ECN 21-049	
09	05/12/20	Update legend per UL changes	PB	KB	ECN 20-042	
08	07/09/19	Change legend per UL update; add electrical data	PB	WC	ECN 19-071	
07	02/27/19	Add regulatory approvals	PB	WC		
06	01/08/19	Change logo and basic corrections	SM	PB		

Comtran reserves the right to change the information above without prior notification. Comtran assumes no risk, and is not liable for direct or indirect, or consequential damages, resulting from the use of this document